

BUILT-IN VACUUM SYSTEM

OPERATING AND MAINTENANCE INSTRUCTION MANUAL

IMPORTANT SAFETY INSTRUCTIONS

Your Built-In Vacuum System represents the very best in design and manufacturing. However, as with any powerful appliance, caution must be exercised while using this Built-in Vacuum System. You will find the Safety Precautions and instructions in maintenance outlined in this manual useful. When using an electrical appliance, the following basic precautions should always be followed:

NOTE: READ ALL INSTRUCTIONS BEFORE USING THIS BUILT-IN VACUUM SYSTEM, AND BE SURE TO SAVE THESE INSTRUCTIONS FOR FUTURE REFERENCE. FOR HOUSEHOLD OR COMMERCIAL USE.

WARNING

To reduce the risk of fire, electric shock, possible personal injury, or damage to the product, the following precautions should be followed.

1. Your Built-in Vacuum System is thoroughly tested before being shipped. However, if service is ever required, be sure to unplug the unit from the outlet before servicing.
2. Your Built-in Vacuum System is approved for dry pick-up only. To avoid possible electric shock **DO NOT USE** outdoors or on wet surfaces.
3. Make sure filter and/or dust bag is in place before operating the unit.
4. Your Built-in Vacuum System possesses extreme suction/air flow and should not be used as a toy. Close attention is necessary when used by or near children. It is important that the end of the hose is **NOT** applied to eyes, ears, mouth or other delicate body parts. Also, keep hair, loose clothing, fingers and all parts of the body away from all openings and moving parts.
5. Use your Built-in Vacuum System and accessories only as described in this manual. Use only the manufacturer's recommended attachments.
6. Do not operate your Built-in Vacuum System with a damaged cord or plug. If the unit is not working as it should and/or has been dropped or damaged, left outdoors or dropped into water, contact an authorized service center for servicing/repair.
7. Be sure all controls are turned to the **OFF** position before removing the plug from the outlet.
8. Be sure to keep the cord away from any heated surfaces.
9. Do not unplug the unit by pulling on the cord. To unplug, always grasp the plug, not the cord.

Operation

To operate your installed Built-in Vacuum System, simply plug the hose into the inlet valve. The metal ring on the hose cuff will complete the low (24) volt circuit and start the machine automatically. To turn the system off, remove the hose from the inlet valve. This low volt feature provides a safe, harmless voltage to activate the high (120) volt power unit.

Warning: Electrical shock could occur if used on wet surfaces.

SAVE THESE INSTRUCTIONS

10. Do not handle the plug, power unit or cord with wet hands.
11. Do not pick up or try to carry the power unit by the cord, use the cord as a handle, close the door on the cord, or attempt to pull the cord around sharp edges or corners.
12. Be sure no objects are placed into any openings. Also, do not use with any opening blocked; take care to keep openings free of dust, lint, hair, and anything that may reduce air flow.
13. Never attempt to vacuum anything that is burning or smoking - such as "live" cigarettes (some types of cigarette butts can re-ignite spontaneously), matches or hot ashes.
14. Never attempt to vacuum flammable or combustible liquids such as gasoline or use in areas where they may be present.
15. Do not vent exhausted air into a wall, ceiling or concealed space.
16. Connect to a properly grounded outlet - see "Grounding Instructions" on the following page.
17. Use extra care when cleaning stairs.

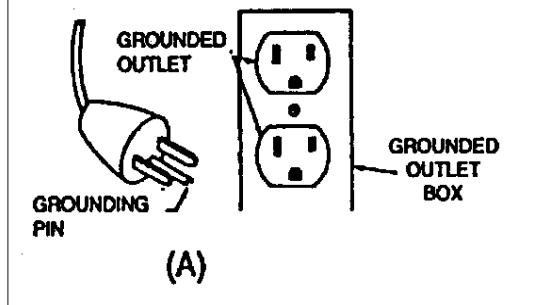
GROUNDING INSTRUCTIONS

1. This appliance must be grounded. If it should malfunction or break down, grounding provides a path of least resistance for electric current to reduce the risk of electric shock. This appliance is equipped with a cord having an equipment-grounding conductor and grounding plug. The plug must be plugged into an appropriate outlet that is properly installed and grounded in accordance with all local electrical codes and ordinances.

2. **WARNING** - Improper connection of the equipment-grounding conductor can result in a risk of electric shock. Check with a qualified electrician or service person if you are in any doubt as to whether the outlet is properly grounded. Do not modify the plug provided with the appliance - if it will not fit the outlet, have a proper outlet installed by a qualified electrician.

3. This appliance is for use on a nominal 120V circuit, and has a grounded plug that looks like the plug illustrated in sketch A. No adapter should be used with this appliance.

Grounding Methods Diagram



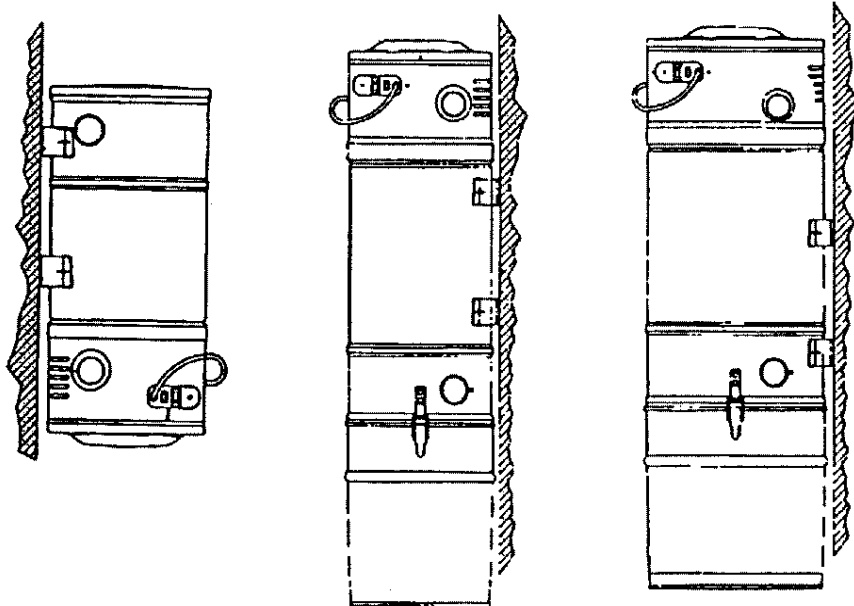
ABOUT YOUR POWER UNIT

Introduction

Power units are equipped with 120 volt motors, rated between 8 and 14 amps. A circuit breaker is incorporated on each machine to protect your equipment from excessive heating or overload. For a detailed drawing of the complete wiring system, please refer to the wiring diagram affixed to the inside of the removable top on each power unit.) Our filter provides complete protection of the motor impeller assembly. It is normal for some dirt and lint to cling to the filter, but it would be wise to check the filter occasionally to be sure that it has not been punctured or torn. The lower dirt pail should be emptied several times a year depending upon the amount of use. For best results, empty when only half full. Any dirt spilled while emptying the dirt pail can be quickly picked up by inserting the hose into the closest automatic inlet valve. None of the parts will require lubrication.

1. Types of Canisters

Power units are available in three canister sizes:



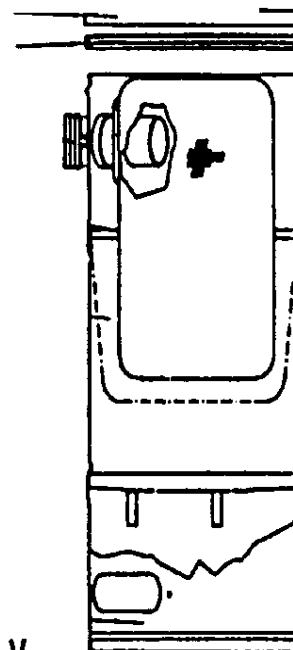
With dirt collection **bag.**

With dirt collection **pail.**

With **wide body** and dirt collection **pail.**

2.A. How To Change The Disposable Dirt Collection Bag

1. Ensure that the power unit is not running before changing the bag.
2. Remove the top cover plate from the power unit.
3. Slowly slide the Dirt Collection Bag away from the plastic pipe.
4. Dispose of the Dirt Collection Bag.
5. Slide the new Dirt Collection Bag over the plastic pipe until pipe is completely covered.
6. Replace top cover plate.
(Note: Any dirt spilled can easily be vacuumed by inserting the hose into the closest automatic inlet valve.)



2.B. How To Empty The Dirt Collection Pail

For the average home, the dirt collection pail should be emptied every 3 months. However, for best performance we recommend the pail be emptied when or before it is $\frac{1}{2}$ full.

1. Ensure that the power unit is not running before emptying the dirt collection pail.
2. Remove the dirt collection pail from the power unit.
3. Dispose of the dirt in the pail.
4. Re-attach the dirt collection pail to the power unit.

Once a Year Filter Maintenance

1. Ensure the power unit is not running before removing the dirt collection pail.
2. Remove the dirt collection pail.
3. Tightly wrap a large plastic garbage bag around the lower portion of the power unit.
4. While holding bag tightly with one hand, grasp the filter through the plastic bag with the other hand and shake the filter.
5. Wait a few seconds for dust to settle in the plastic bag. Carefully remove the plastic bag.
6. Re-attach the dirt pail to the power unit.
(Note: Any dirt spilled can easily be vacuumed by inserting the hose into the closest automatic inlet valve.)

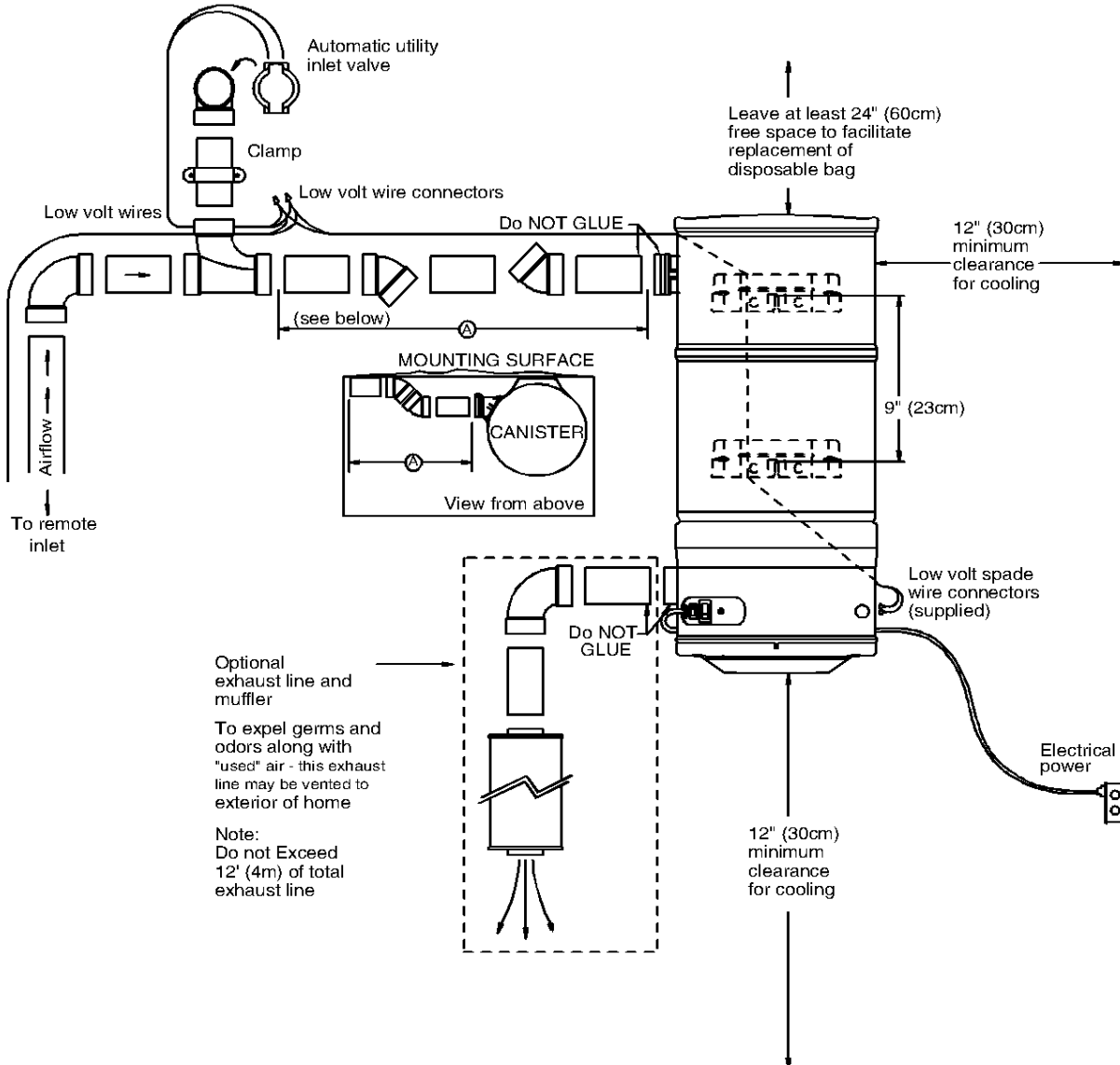
3. Power Unit Mounting in 7 Easy Steps

1. The power unit is mounted to the wall using two 2 ¼" screws* supplied.
2. The upper screw should be attached to the wall at approximate height (as shown on pg. 7 or pg. 8), leaving the screw head protruding ¼"(6mm).
3. Measure down vertically 9" (23cm) and attach lower screw, leaving the screw head protruding ¼" (6mm).
4. Hang power unit by the mounting brackets, by pushing brackets down onto the screws.
5. At this point, your power unit should be mounted securely to the wall without any side to side movement. If the unit is not secured properly, remove it from the wall, turn the two screws clockwise by ¼ of a turn and repeat step 4.
6. Connect vacuum line and low-voltage wires (and optional exhaust line**) as shown on pg 7 or 8.
7. Plug power unit cord into a dedicated 15 amp electrical outlet and test both manual over-ride switch on unit (normally "off"), and automatic inlets for operation.

*NOTE: It is important that these screws are firmly seated. For drywall, always insert the screws onto studs OR securely attach a plywood board to studs first, then mount power unit. On concrete walls, use the appropriate plastic screw anchors supplied.

**NOTE: To avoid motor overheating, do not exceed 12 ft (4 M) of total exhaust line.

Paper Bag Models



Models With a pail

